

AIM PLAST accessories

These stackable system supports are manufactured from high- grade, specially formulated polyamides. The material is self-extinguishing and free of halogen, phosphor and cadmium and is extremely shock-resistant.

They are specially designed for increased mechanical requirements in the traction industry and offer the following.

Advantages:

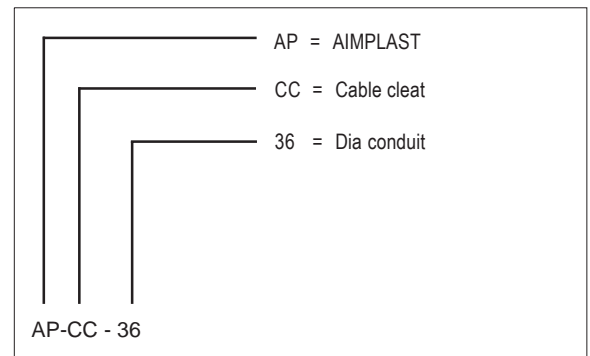
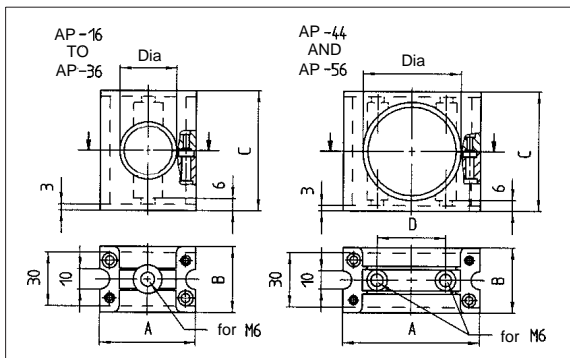
- variable stacking possibilities (see application examples), due to the "block"-system a high rigidity is guaranteed
- strain relief due to gripping around conduit
- especially suitable for dynamic applications due to rounded edges
- variety of support possibilities

Temperature range : -40°C ... +105°C

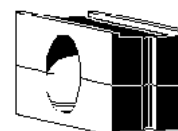
Short-term : 160°C

System belonging to : AIMPLAST

Colour : black



Order No.	fits to Conduit Dia	dimensions in mm (nom.)			
		A	B	C	D
AP-CC-16	16	37.0	35.0	70.0	
AP-CC-22	22	37.0	35.0	70.0	
AP-CC-30	30	50.0	35.0	70.0	
AP-CC-36	36	50.0	35.0	70.0	
AP-CC-44	44	70.0	35.0	70.0	38.0
AP-CC-56	56	70.0	35.0	70.0	52.0

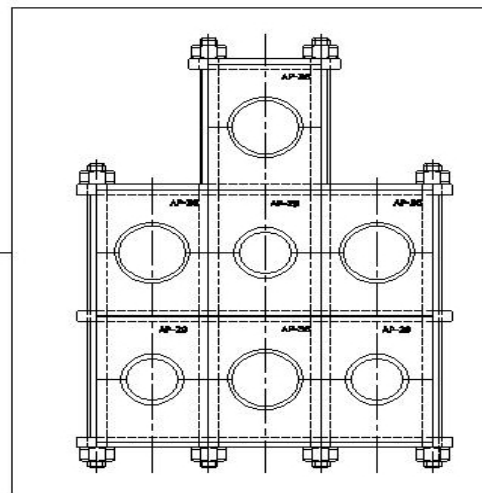
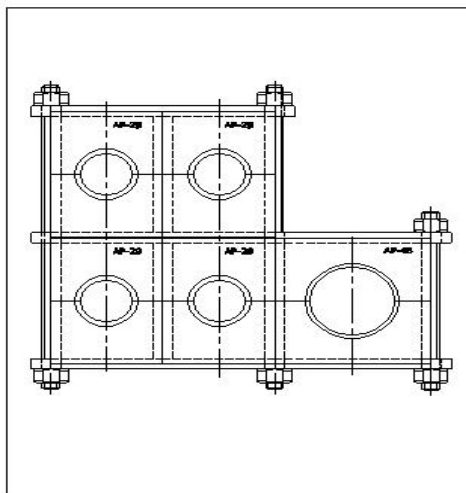
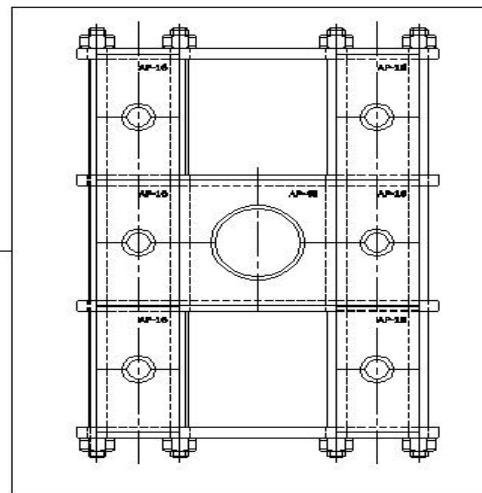
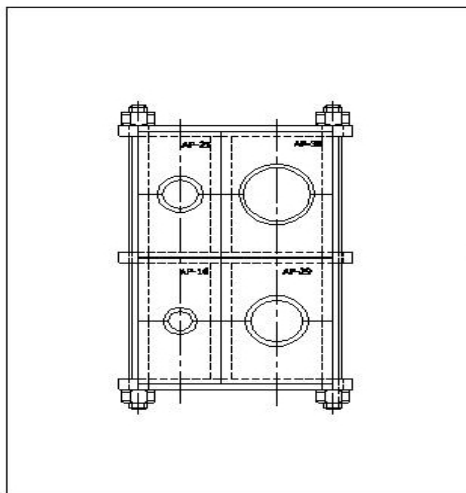
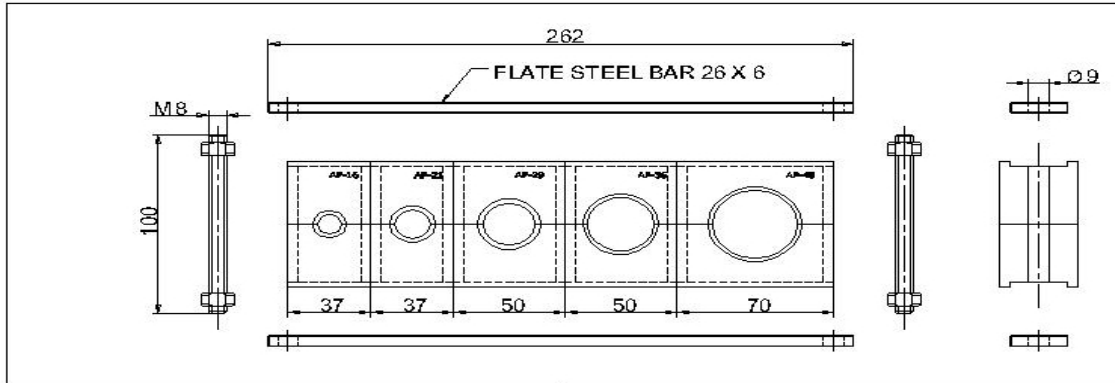


AIM PLAST accessories

Properties	Unit	Value	Test
Mechanical properties			
Stress-E-module	N/mm ²	1'200 ... 3'70	ISO 527
Tensile strength	N/mm ²	45... 65	ISO 527
Notched bar impact test	kJ/m ²	4... 20	ISO 180/1C
Thermal properties			
Temperature range	°C	-40 ... +105	
Short-term	°C	160	
Flame			
Free of halogen and phosphor	-	Ja/Yes	DIN 5347
Flame class	-	V0 (V2)	UL 94
Light emitting filament check	°C	960	EN 60695-2-1/0
Oxygen index (LOI)	%	>30	ASTM D 2863
I-classification	-	I3	NF F 16-101
Smoke emission class	-	F2	NF F 16-101 and 102
Specific properties			
Resistance to fuels, mineral oil, fat, alkalies, common solvents, glycols, weak bases and acids		hervorragend excellent	



AIM PLAST accessories - some cable cleat assembly possibilities



Due to the numerous stacking possibilities AIM PLAST does not carry accessories such as flat steel, threaded rods, nuts or sliding blocks in their product range!